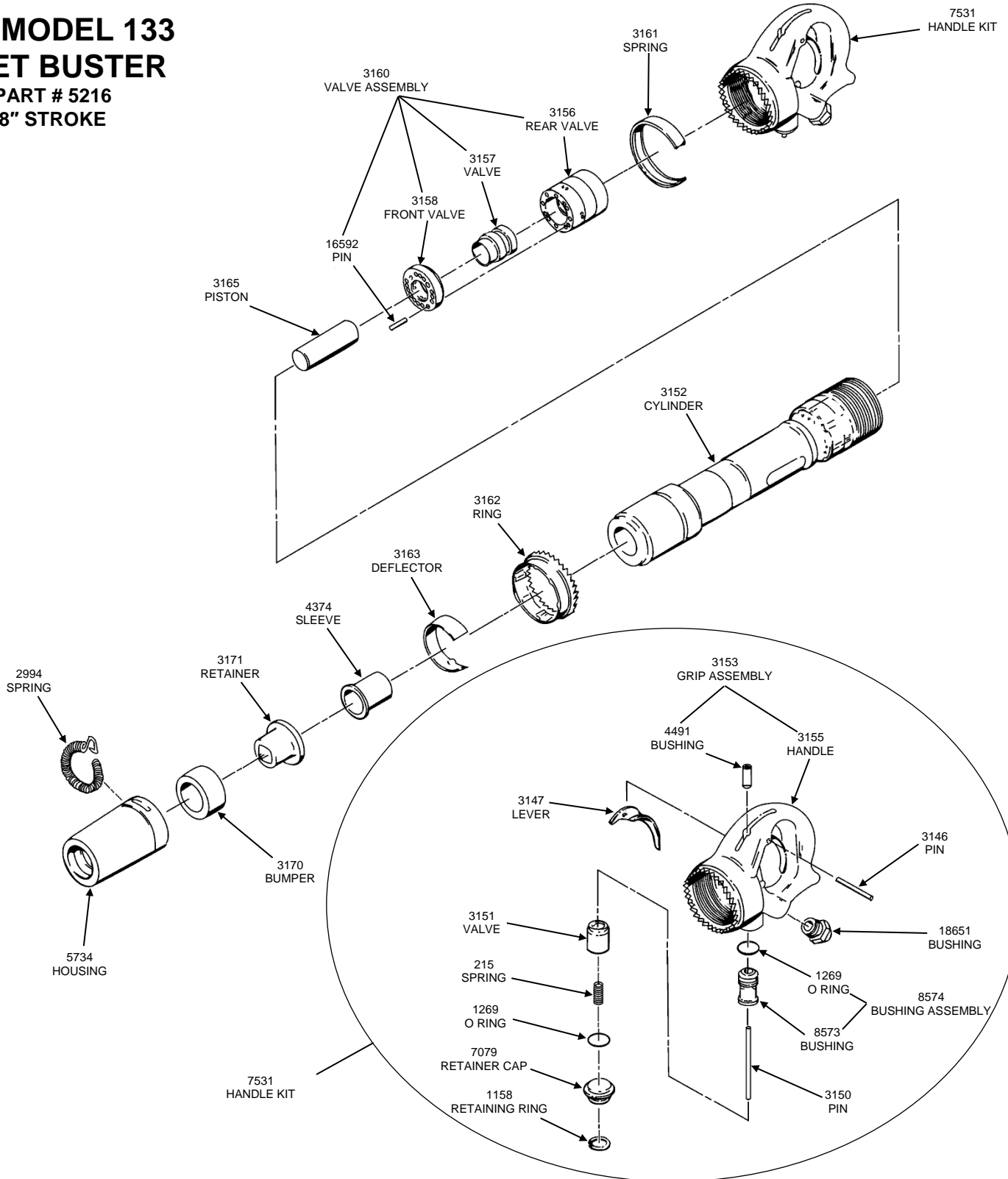




American Pneumatic Tools

**APT MODEL 133
RIVET BUSTER
PART # 5216
8" STROKE**



For assistance in any sales, technical, maintenance or repair questions, please call APT @
 Phone: (800) 532-7402 or (714) 285-2828 • Fax: (800) 715-6502 or (714) 285-2829
 1000 S. Grand Ave, Santa Ana, CA 92705

Website: www.apr-tools.com • e-mail: info@apr-tools.com

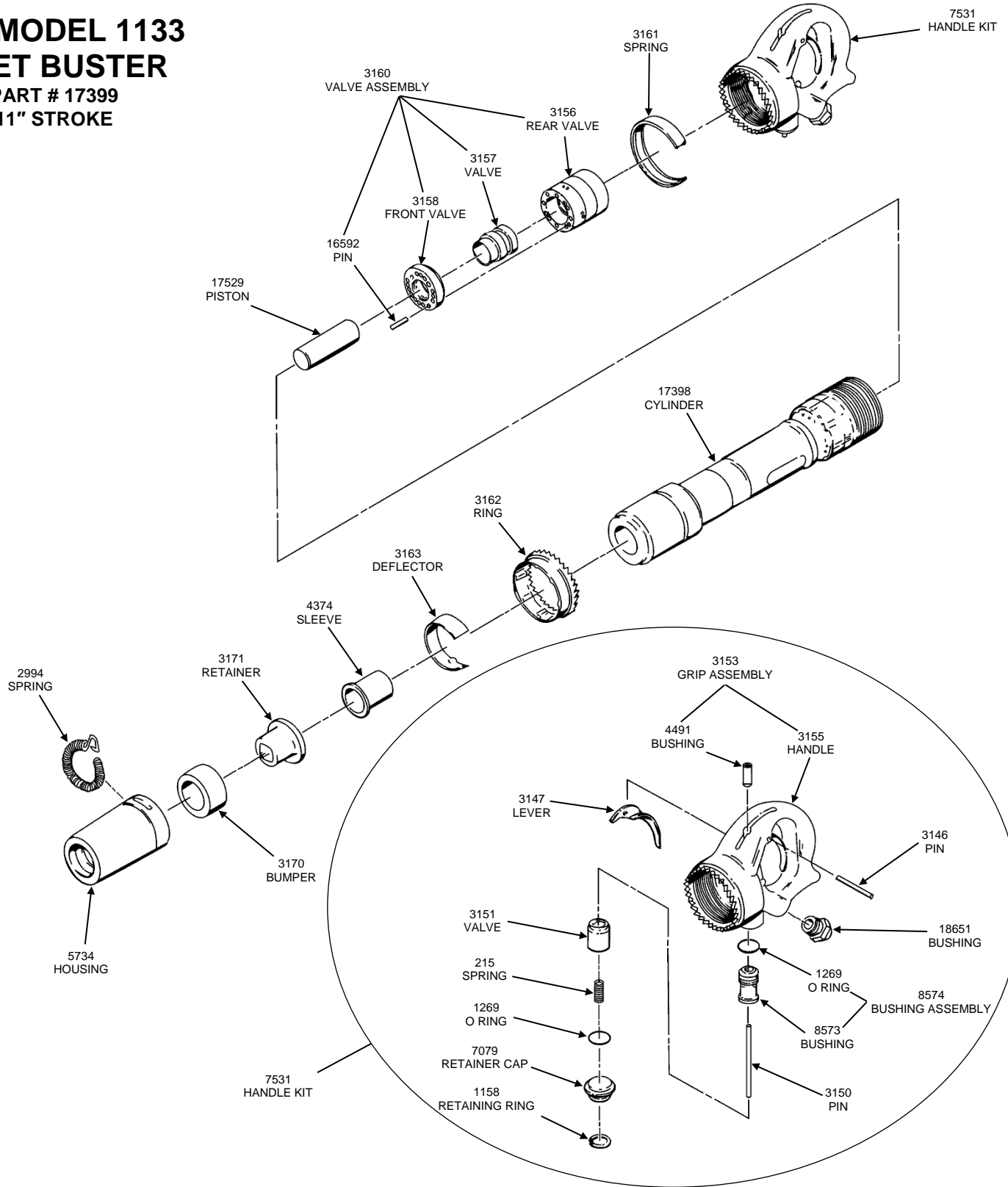
TDS-1041 Rev B

© 2017 AMERICAN PNEUMATIC TOOLS a business unit within: Construction Equipment North America LLC



American Pneumatic Tools

APT MODEL 1133
RIVET BUSTER
PART # 17399
11" STROKE



For assistance in any sales, technical, maintenance or repair questions, please call APT @
 Phone: (800) 532-7402 or (714) 285-2828 • Fax: (800) 715-6502 or (714) 285-2829
 1000 S. Grand Ave, Santa Ana, CA 92705

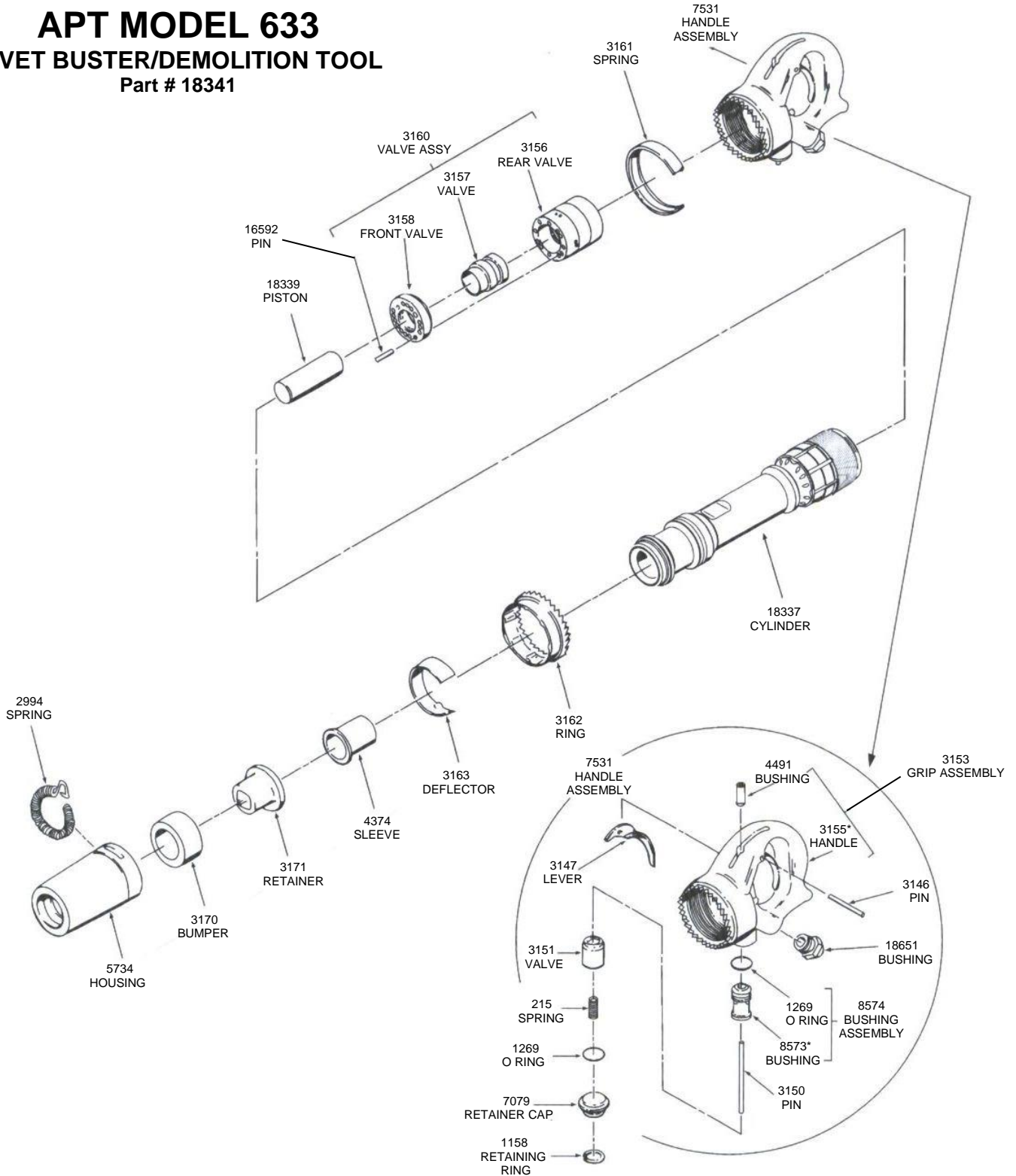
Website: www.apr-tools.com • e-mail: info@apr-tools.com

TDS-1043 Rev C



American Pneumatic Tools

APT MODEL 633 RIVET BUSTER/DEMOLITION TOOL Part # 18341



* NOT SOLD SEPARATELY

For assistance in any sales, technical, maintenance or repair questions, please call APT @
Phone: (800) 532-7402 or (714) 285-2828 • Fax: (800) 715-6502 or (714) 285-2829
1000 S. Grand Ave, Santa Ana, CA 92705

Website: www.apr-tools.com • e-mail: info@apr-tools.com

TDS-1045 Rev B

© 2017 AMERICAN PNEUMATIC TOOLS a business unit within: Construction Equipment North America LLC.



American Pneumatic Tools

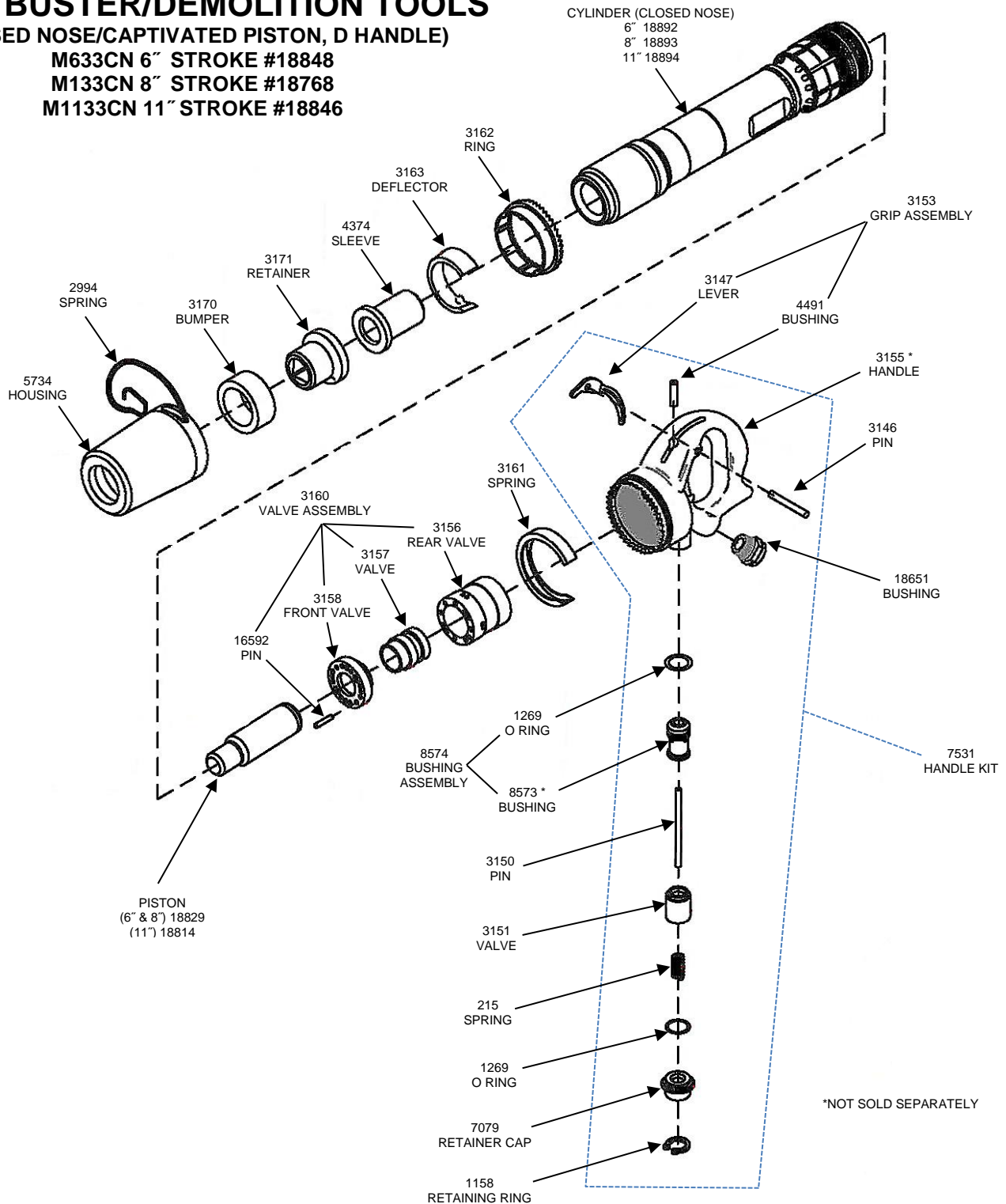
RIVET BUSTER/DEMOLITION TOOLS

(CLOSED NOSE/CAPTIVATED PISTON, D HANDLE)

M633CN 6" STROKE #18848

M133CN 8" STROKE #18768

M1133CN 11" STROKE #18846



For assistance in any sales, technical, maintenance or repair questions, please call APT @
 Phone: (800) 532-7402 or (714) 285-2828 • Fax: (800) 715-6502 or (714) 285-2829
 1000 S. Grand Ave, Santa Ana, CA 92705

Website: www.apr-tools.com • e-mail: info@apr-tools.com

TDS-1167 Rev B

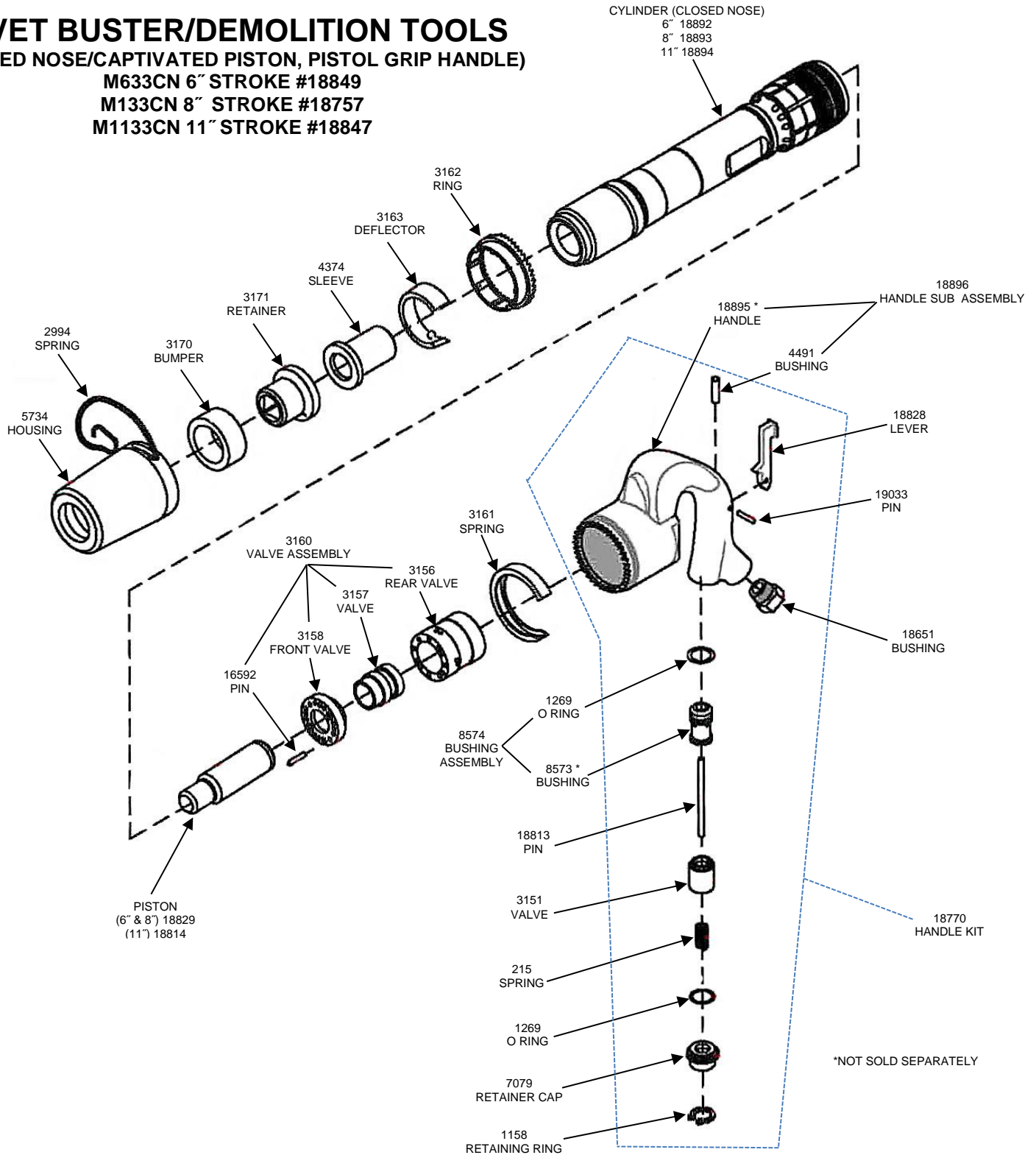
© 2017 AMERICAN PNEUMATIC TOOLS a business unit within: Construction Equipment North America LLC.



American Pneumatic Tools

RIVET BUSTER/DEMOLITION TOOLS (CLOSED NOSE/CAPTIVATED PISTON, PISTOL GRIP HANDLE)

M633CN 6" STROKE #18849
M133CN 8" STROKE #18757
M1133CN 11" STROKE #18847



For assistance in any sales, technical, maintenance or repair questions, please call APT @
 Phone: (800) 532-7402 or (714) 285-2828 • Fax: (800) 715-6502 or (714) 285-2829
 1000 S. Grand Ave, Santa Ana, CA 92705

Website: www.apr-tools.com • e-mail: info@apr-tools.com

TDS-1168 Rev B